

Technical Specification for the NIC Mirror Search Kit SE008900



A lightweight, compact kit containing the complete range of NIC mirrors and search arms, to allow the user a solution to most search requirements. All mirrors are interchangeable with the three search arms supplied. It is contained in a lightweight rigid case, with all items securely housed in dedicated foam cutouts. Also comes supplied with a full range of batteries.

SE000100 TELESCOPIC INSPECTION ARM

A purpose made telescopic handle which will accept a variety of mirrors. A revolutionary twist and lock mechanism enables the Telescopic Inspection Arm to be locked at any length. Manufactured from anodised aluminium, the Telescopic Inspection Arm is the most rigid telescopic arm available.

Part Number	SE000100
NSN	5120-99-723-8872

Construction:

Telescopic handle	Anodised aluminium tubes
No of sections	Five (5)
Locking method	Twist and lock
Ball Joint	Nickel plated brass and stainless steel

Operational environment

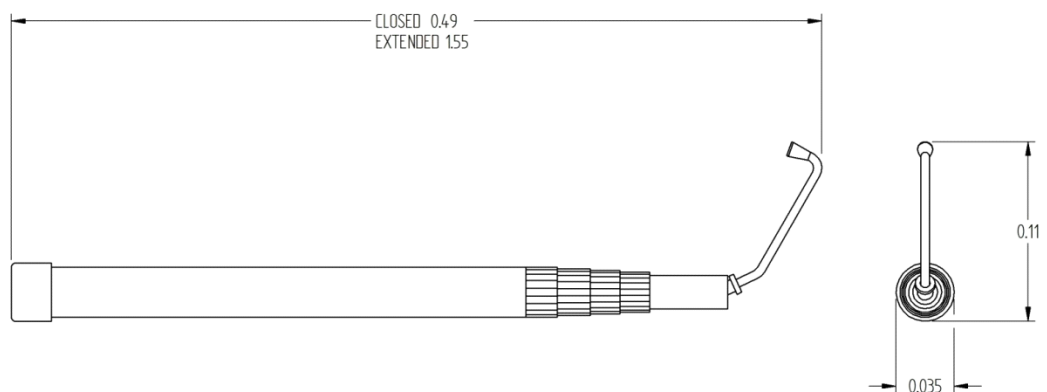
Operational temperature range	Typically -20°C to +54°C
Storage temperature range	Typically -20°C to +54°C

Dimensions & sizes:

Telescopic handle length	Closed 0.48m Extended 1.55m
Overall Product Dimensions when fully closed down	0.48m x 0.035m x 0.11m

Weights

Product weight	0.3kg
----------------	-------



Technical Specification for the NIC Mirror Search Kit SE008900



SE000203 LED ILLUMINATED TELESCOPIC INSPECTION ARM

A purpose made telescopic handle which will accept a variety of mirrors. Fitted with an AAA cell LED torch, useful during searches carried out in low light levels. A revolutionary twist and lock mechanism enables the LED Illuminated Telescopic Inspection Arm to be locked at any length. Manufactured from anodised aluminium, the Telescopic Inspection Arm is the most rigid telescopic arm available.

Construction:

Telescopic Arm	Anodised aluminium tubes, plastic knurled collars
Locking method	Twist and lock
No of sections	Five (5)
Ball Joint	Nickel plated brass and stainless steel
Torch	Anodised Aluminium body with knurled grip
Bracket	Anodised Aluminium with Stainless steel screw

Dimensions & sizes:

Part No.	Mass (kg)	Dimensions (mm)	Dimensions when fully closed down (mm)
SE000203	0.6kg	Closed 480 Extended 1600	480x110x30

Power Supply:

Power Source	9Vdc 6 x AAA Batteries (not supplied)
--------------	---------------------------------------

Torch Specification:

LED Spec	10W Cree LED
Output	280 lumens
Runtime (continuous)	3-4hrs
LED lifetime	Approx. 100,000hrs

Operational environment:

Operational temperature range	Typically -20°C to +54°C
Storage temperature range	Typically -20°C to +54°C

Technical Spec issue details:

Issue	PCN	Date	Name
4	11626	14/9/2015	JWM
1	10699	1/3/2013	JWM
2	10808	6/6/2013	JWM
3	11374	24/11/14	JWM
4	13008	20/02/18	JWM

Disclaimer

We reserve the right to change the specification, as detailed without notice.

Technical Specification for the NIC Mirror Search Kit SE008900



SE000300 RIGID INSPECTION ARM

A purpose made rigid handle, which will accept a variety of mirrors. Fitted with a D cell torch, useful during searches carried out in low light levels.

Part Number	SE000300
NSN	5120-99-236-1592

Construction:

Body	Painted steel
Torch	Rubber outer sheath, plastic inner.

Operational environment:

Operational temperature range	Typically -20°C to +55°C
Storage temperature range	Typically -20°C to +55°C

Illumination:

Brightness	10.0 Lumens
Bulb type	LED

Power supply:

Power source	Twin D Cells (Not supplied with unit)
--------------	---------------------------------------

Weights

Product weight	0.5kg
----------------	-------

Pocket Search Mirror SE000600

An illuminated security mirror to assist in vehicle, boat or aircraft search. The Safe-C incorporates a telescopic handle measuring just 20cm when shut, yet extends to 80cm when in use. An automatic on/off switch provides illumination to the mirror offering excellent vision day or night. The Safe-C mirror is compact enough to be carried in your pocket. (Accepts 2 x AAA batteries.)

Part Numbers:

Part Number	SE000600
NATO Stock Number	5120-99-148-3692

Construction:

Mirror back	Moulded plastic
Telescopic handle	Nickel plated brass tube
Locking method	Taper lock
Mirror	Plano (flat) glass

Operational environment

Operational temperature range	Typically -20°C to +54°C
Storage temperature range	Typically -20°C to +54°C

Illumination:

Brightness	4.0 Lumens
Bulb type	2.2V 0.25A E10 MES Thread

Power supply:

Power source	Twin AAA Cells
--------------	----------------

Technical Specification for the NIC Mirror Search Kit SE008900



Average alkaline battery life	1hr
-------------------------------	-----

Dimensions & sizes:

Mirror dimensions	120mmx70mm
Overall Product Dimensions when fully closed down	200mm x 70mm
Telescopic handle length	Closed 0.2m Extended 0.8m
Packed dimensions	23x8x5 CM

Weights

Product weight	Product weight 320g
----------------	---------------------

Mirrors

A range of mirrors of different sizes that fit the NIC telescopic and rigid arms. The different sizes and shapes allow a wide range of areas to be viewed.

Part Numbers:

Description	Part Number	NATO stock number
38mm plano mirror, diameter, screw fitting	SE001700	5120-99-184-8446
65mm plano mirror diameter, screw fitting	SE001400	5120-99-151-2535
65mm plano mirror diameter, screw fitting, fitted with protective rubber ring	SE001500	5120-99-275-5024
65mm x 115 plano mirror rectangular, screw fitting	SE000800	5120-99-961-2867
100mm plano mirror diameter, screw fitting	SE001300	5120-99-749-2176
140mm plano mirror diameter, screw fitting	SE001100	5120-99-593-8796

Construction:

Mirror back	Plastic
Stud fitting	Zinc plated steel/stainless steel

Operational environment

Operational temperature range	Typically -20°C to +54°C
Storage temperature range	Typically -20°C to +54°C

Dimensions, weights & sizes:

Description	Part Number	Size	Weight
38mm plano mirror, diameter, screw fitting	SE001700	38mm diameter x 10mm	13g
65mm plano mirror diameter,	SE001400	65mm diameter x	30g

Technical Specification for the NIC Mirror Search Kit SE008900



screw fitting		10mm	
65mm plano mirror diameter, screw fitting, fitted with protective rubber ring	SE001500	65mm diameter x 10mm	40g
65mm x 115 plano mirror rectangular, screw fitting	SE000800	65 x 115 x 10mm	60g
100mm plano mirror diameter, screw fitting	SE001300	100mm diameter x 10mm	65g
140mm plano mirror diameter, screw fitting	SE001100	140mm diameter x 10mm	120g

Foam lined case SE008901

A rigid executive style case, with specially designed foam insert. Each tool has its own clearly defined position, which helps significantly with inventory control.

Construction:

Case	Plastic
Insert	Plastazote foam

Dimensions, weights & sizes:

Size	Weight (empty)
510cm x 360cm x 114cm	0.3Kg

Packed Weight and dimensions:

Weight: 5kg, Dimensions: 61x46x17cm

Technical Spec issue details

Issue	PCN	Date	Name
0	NA	09/01/2012	JWM
1	10697	26/02/2013	JWM
2	11017	06/09/2013	JWM
3	11108	16/01/2014	JWM
4	11374	24/11/14	JWM
5	11626	14/9/2015	JWM
6	13008	20/02/2018	JWM

Disclaimer

We reserve the right to change the specification, as detailed without notice.